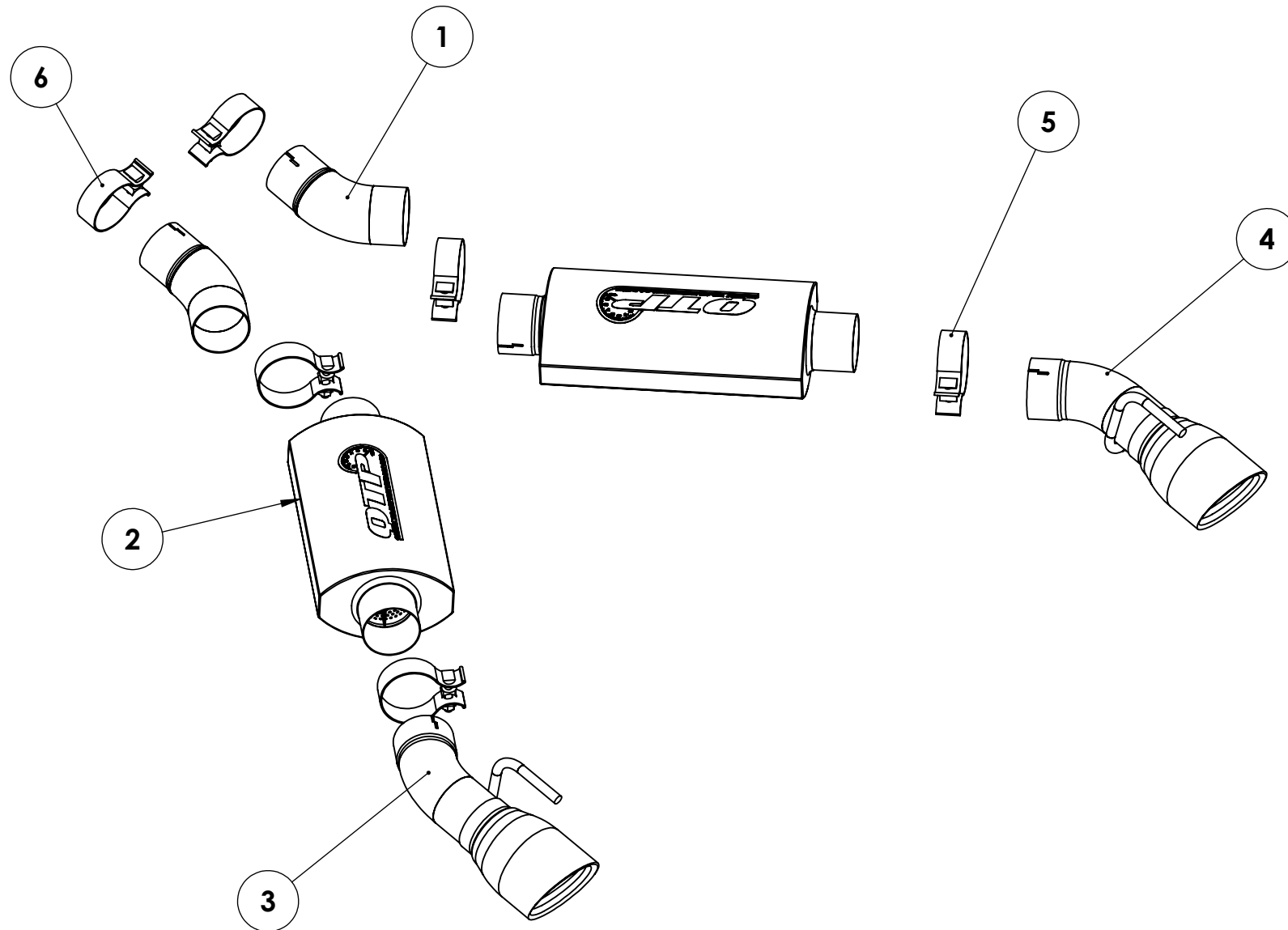
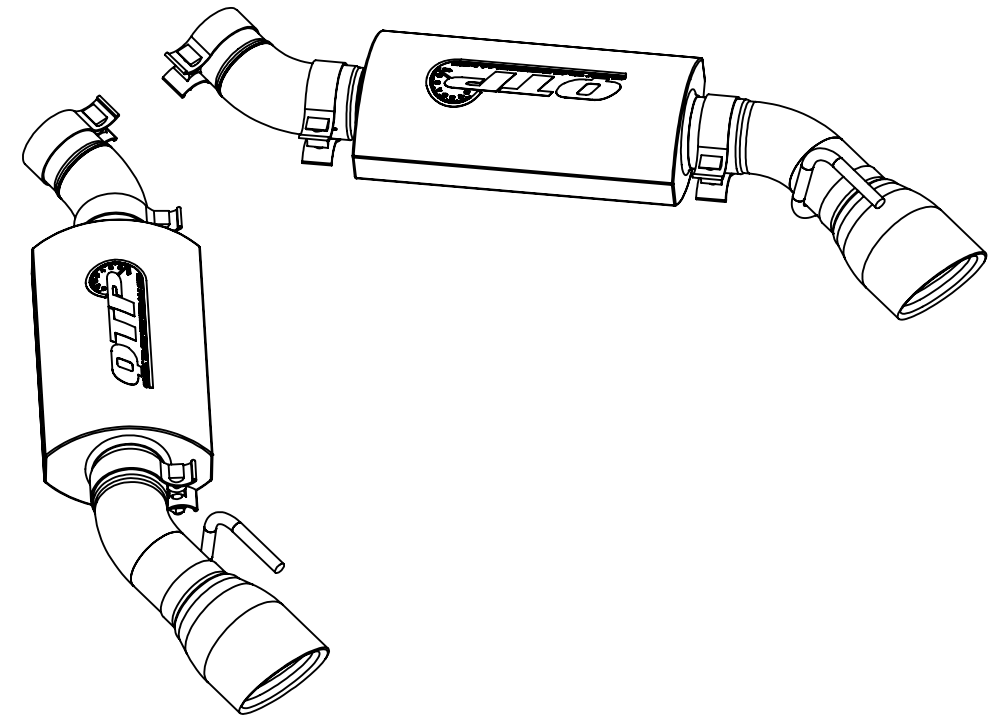


ITEM NO.	PART NUMBER	DESCRIPTION	QTY.
1	1027-W	INLET TUBE ASSEMBLY	2
2	12300N	3.00 AR3 MUFFLER NOTCHED	2
3	1028-W	LEFT TIP ASSEMBLY	1
4	1029-W	RIGHT TIP ASSEMBLY	1
5	BC30	3.00 TORCA ACCUSEAL CLAMP	4
6	BC275	2.75 TORCA ACCUSEAL CLAMP	2

DO NOT SCALE DRAWING



77 4TH AVE  
HAWTHORNE NJ  
07506  
973-513-9955

UNLESS OTHERWISE SPECIFIED:			
INTERPRET WELDING SYMBOLS PER AWS A2.4:2007 INTERPRET SURFACE TEXTURE SYMBOLS PER ASME Y14.36-1996		INTERPRET DIMENSIONS & TOLERANCES PER ASME Y14.5M-1994	
3RD ANGLE 	UNITS: INCHES	TWO PLACES ± .01 THREE PLACES ± .005 ANGULAR ± .5	FILLETS R.002/R.020 BREAK EDGES .002/.020 RADIUS OR CHAMFER GENERAL FINISH 63 Ra MAX REMOVE ALL BURRS
MATERIAL	THIS DRAWING AND THE CONTENTS HERIN ARE CONFIDENTIAL AND THE SOLE PROPERTY OF QUICK TIME PERFORMACNE REPRODUCTION OF THIS DRAWING OR CONSTRUCTION OF ANY PARTS WITHIN THIS DRAWING ARE FORBIDDEN WITHOUT PRIOR WRITTEN CONSENT		
FINISH	DRAWN BY MP	DATE 3/28/2016	CHECKED BY DATE
COMMENTS	TITLE: <b>2016+ CAMARO AR3 AXLE BACK</b>		
WEIGHT:	SIZE <b>B</b>	DWG. NO. <b>600116</b>	REV
SHEET 1 OF 1	SCALE: 1:8		